

4U Triple Screen LCD Console

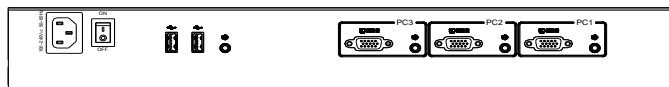
VGA, USB, Audio, Hub



Switching port by simply moving the mouse cursor across each screen boundary

Features

- Compact 19 inch rack mountable. Build in Triple 5.6 inch TFT LCD Display in 4U height.
- Integrated 3 Port Keyboard / Mouse Switch (KM Switch), Support by Mouse moving across screen boundary to switching
- Independent VGA /USB/Audio/HUB interface for each PC
- Heavy duty steel chassis with hardness glass protect screen (touch for optional).
- Front osd control buttons to optimized display.
- 90 degree tilt adjustment for ultra convenience view angle.
- Rear 2x USB 2.0 Type A, Sharing USB peripheral Device for each computer (ex, flash disk, hard driver, KB/Mouse).
- Build in 2x2w stereo speakers.
- Durable 88-key keyboard and touch pad tray
- Quick and simple installation.



Rear of RM-3X56KMT

Part No.		RM-3X56KMT
Direct no. of Computers		3
Maximum no. of Computers		3
LCD	Size	Triple 5.6 inch
	Backlight	LED
	Resolution	640*480
	Max.color	262K
	Luminance	200cd/m2
	View Angel (H/V)	140 / 120
	Contrast Ratio	500 : 1
Port Selection		Mouse moving across screen boundary or Hotkey
USB HUB		Yes , Rear 2x USB 2.0 Type A for USB Peripheral Device
Touch Screen		Yes , for option (Driver needed)
KB/Mouse Emulation		USB
Power		100-240V AC 50/60Hz via IEC Type power cord
Environment		Operation temp: 0 to 50°C Storage temp: -20 to 60°C Humidity: 10% - 90%, non-condensing Shock: 10G acceleration (11ms duration) Vibration: 17 to 500Hz 1G PTP
Physical Dimensions / Net Weights		448x170x265mm (WxHxD) / 8.5KG
Packing Dimensions / Gross weights		610*300*415mm (WxHxD) / 12KG

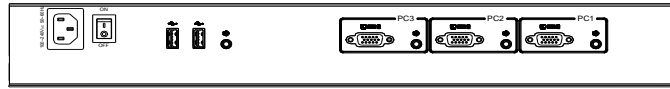
Accessory

1.8meter IEC Type Power Cord x1 , 1.8meter 2-in-1 KVM Cable-USB&VGA x3 , 1.8meter Audio Cable x 3

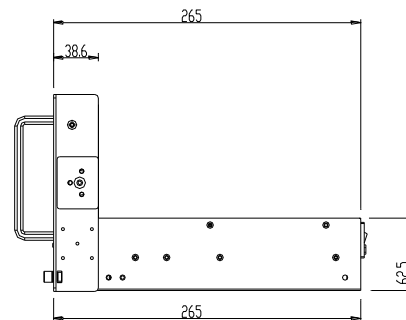
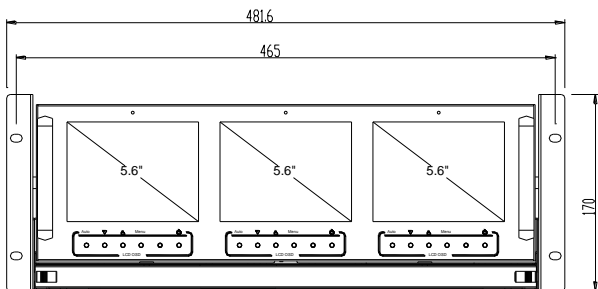
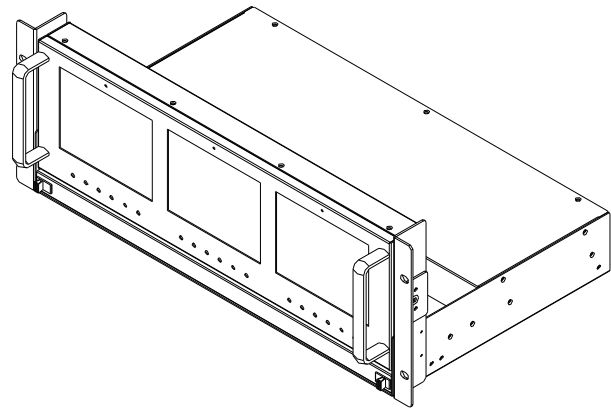
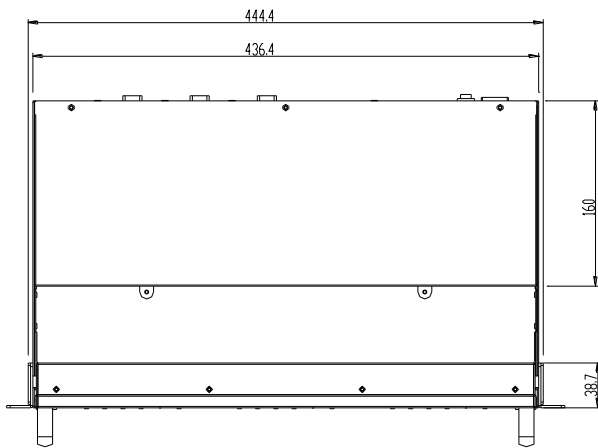
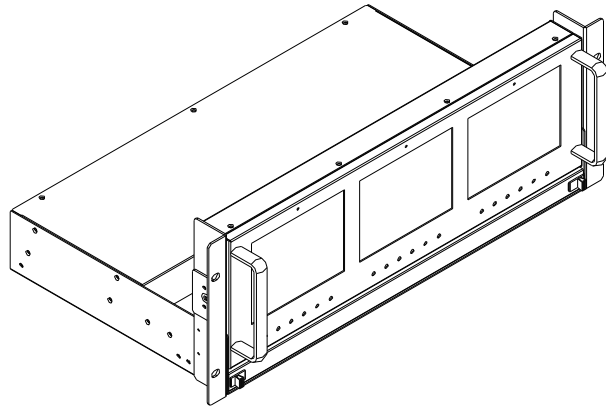
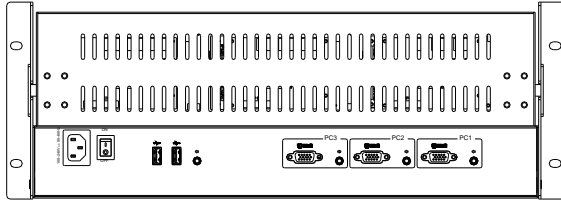
Specifications subject to change without notice

4U Triple Screen LCD Console Drawer

DVI-D-USB & VGA-USB, Audio, Hub



Rear of RM-3X56KMT



USA (Head Quarter)
Denichi Computer Devices, Inc.
13200 Pond Springs Rd. #A102, Austin, TX 78729
Office: 512-837-2655
Fax: 512-837-1694
Email: sales@denichi.com

China (Factory)
Add : The south faces industry area of Xia Gang Fu Hai road, Chang'an Town, Dongguan City, Guangdong, China
Email: sales@denichi.com